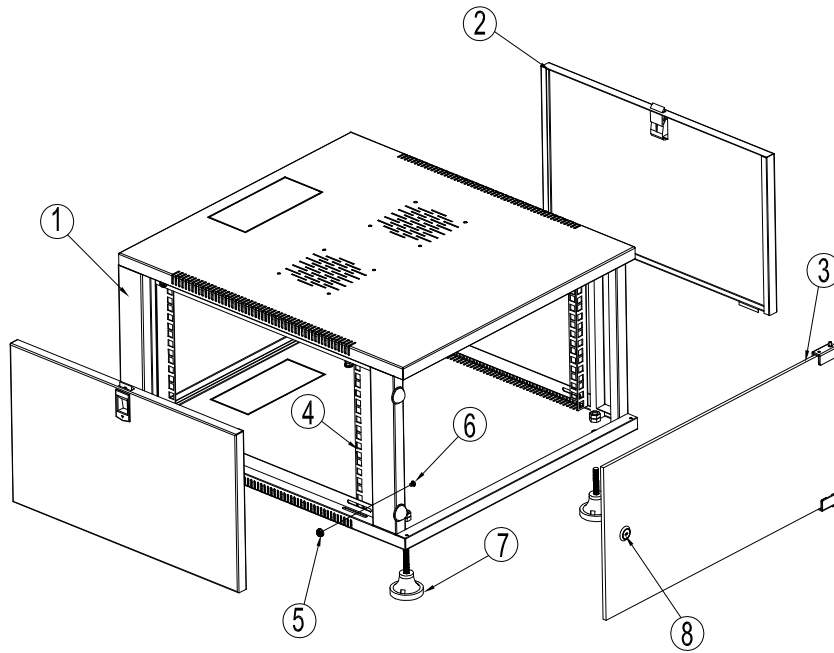


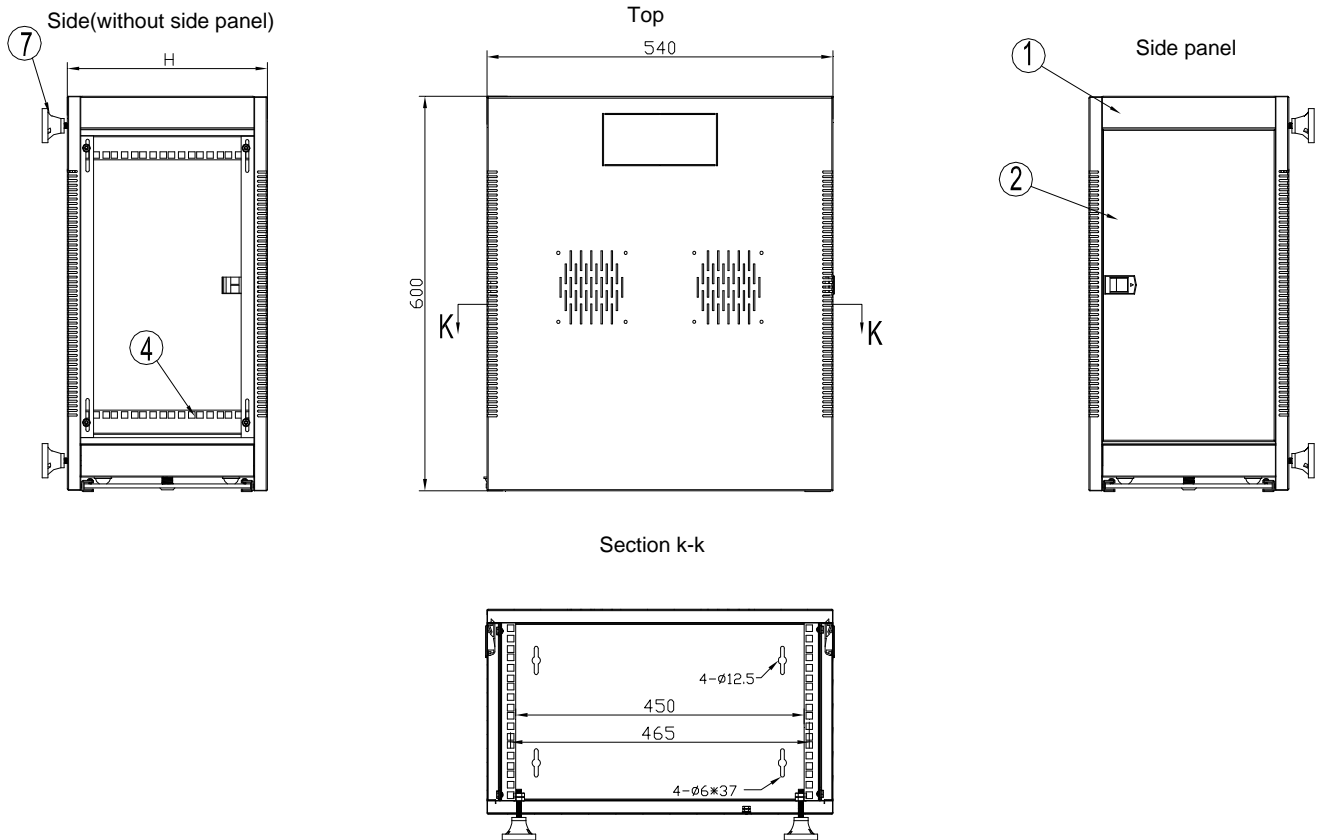
GQ Wall Mounted Cabinets

Main structure:

1. Frame
2. Side panel
3. Mounting panel
4. Cable entry cover
5. Mounting profile
6. Fixed shelf
7. Horizontal support
8. Front door
9. Lock



Main dimension:



Main parts:

S/N	Specification	Quantity	Unit	Material	Surface finish
1	Frame	1	Piece	SPCC Cold rolled steel t1.0	Powder coated
2	Side panel	2	Piece	SPCC Cold rolled steel t1.0	Powder coated
3	Front door	1	Piece	5mm tempered glass door	
4	Rail	4	Piece	SPCC Cold rolled steel t1.5	plated with zinc
5	Flange nutM5	8	Piece	steel	plated with zinc
6	Cross screwM5x12	8	Piece	steel	plated with zinc
7	Adjustable feet	4	Piece	----	----
8	Lock	1	Piece	----	----

Specification:

Model Number	Capacity(U)	Width (mm)	Depth (mm)	Height (mm)	Packing Dimension W*D*H	Volume (CBM)
GQ5606	6	540	600	310	560*620*330	0.1146
GQ5609	9	540	600	445	560*620*465	0.1614
GQ5612	12	540	600	580	560*620*600	0.2083
GQ5615	15	540	600	710	560*620*730	0.2534
GQ5620	20	540	600	932.5	560*620*950	0.3298
GQ5625	25	540	600	1155	560*620*1175	0.4080
GQ5404	4	540	450	220	560*470*240	0.0632
GQ5406	6	540	450	310	560*470*330	0.0869
GQ5409	9	540	450	445	560*470*465	0.1224
GQ5412	12	540	450	580	560*470*600	0.158
GQ5415	15	540	450	710	560*470*730	0.1921
GQ5420	20	540	450	932.5	560*470*950	0.25

Definition of color

Model Number	Color
RAL9005	
RAL9004	
RAL7035	
RAL7032	